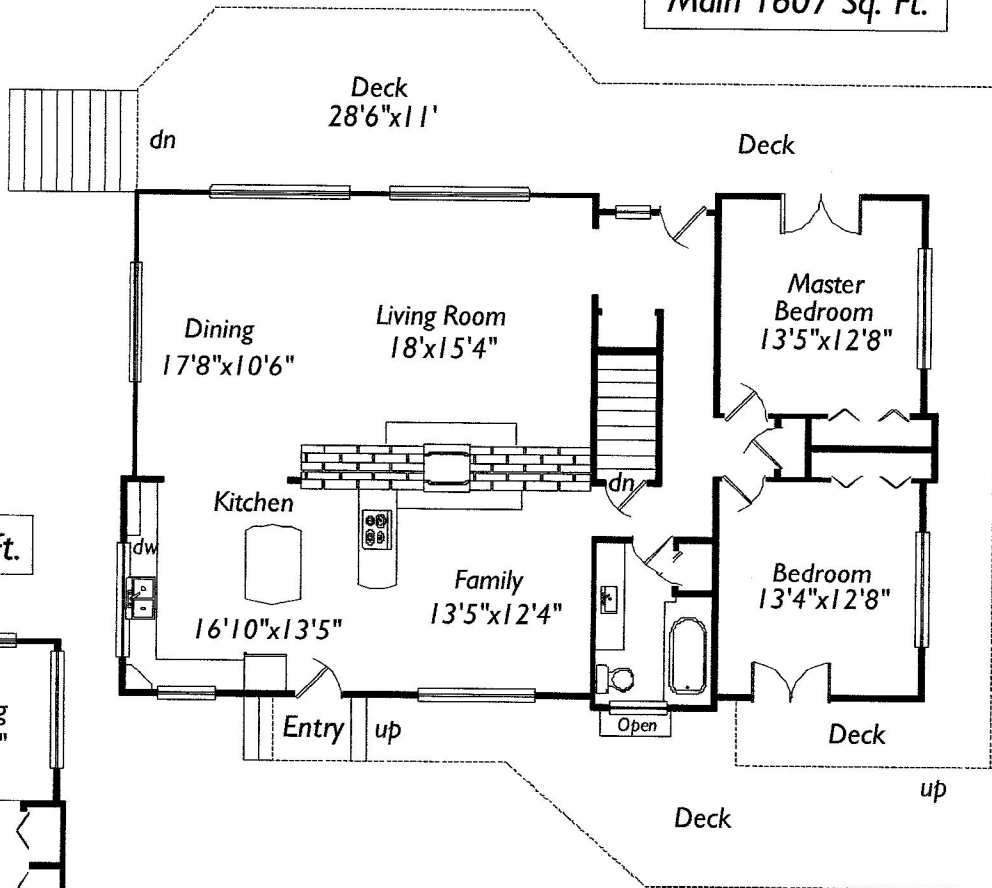


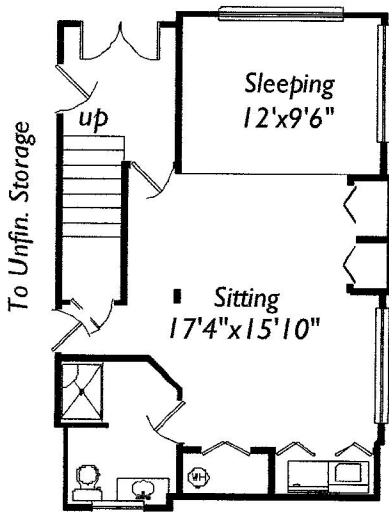
232 Southwind Road Galiano Island, BC V0N 1P0

Main 1607 Sq. Ft.



Lower 657 Sq. Ft.

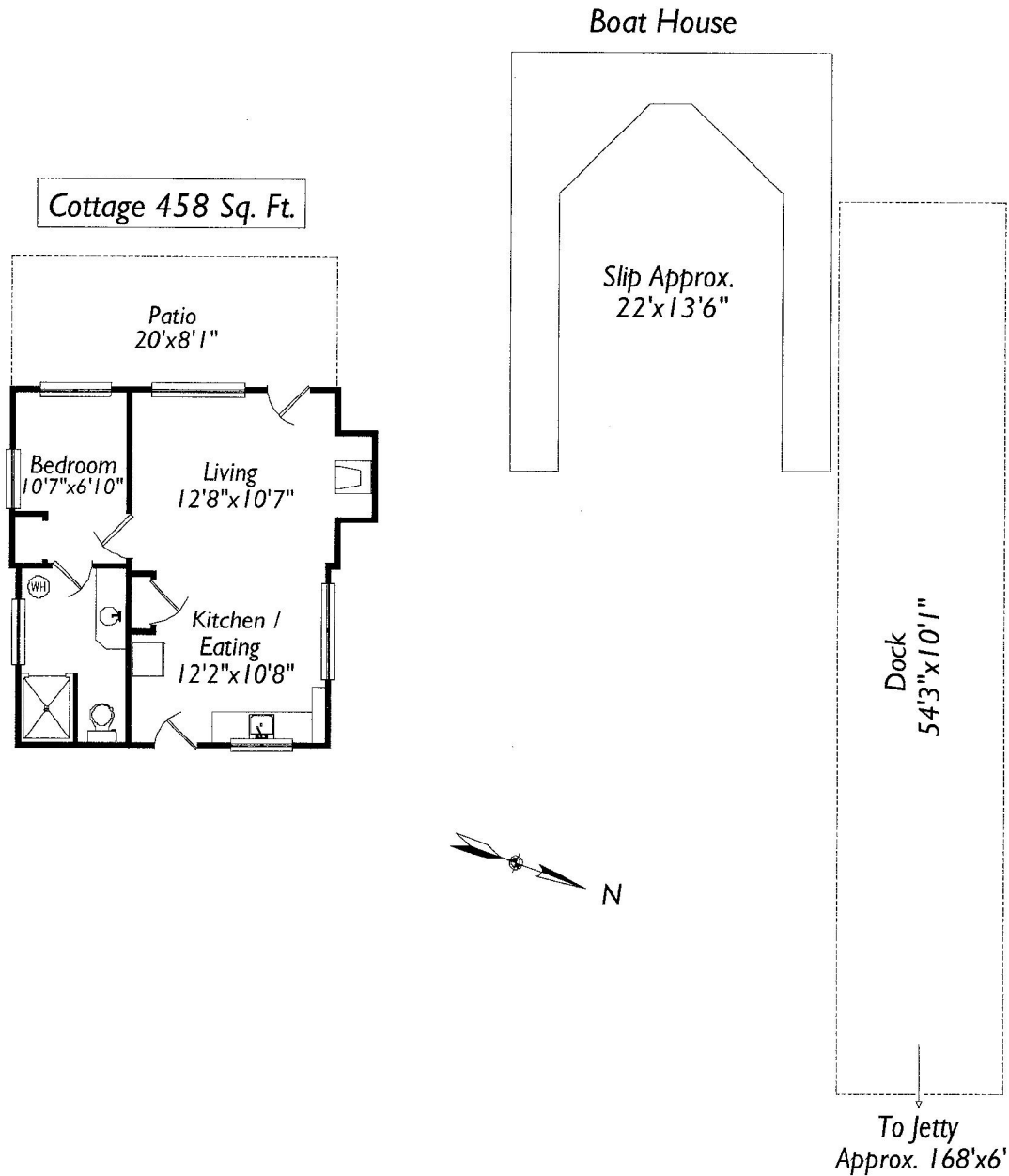
Ceiling 7'4" thru 8'



| | Finished Sq. Ft. | Unfinished Sq. Ft. | Total Sq. Ft. |
|---------------|------------------|--------------------|---------------|
| Main | 1607 | 0 | 1607 |
| Lower | 657 | 0 | 657 |
| Cottage | 458 | 0 | 458 |
| Total | 2722 | 0 | 2722 |
| Decks & Patio | 0 | 1145 | 1145 |

Prepared for the exclusive use of **1 of 2**
 Peter Nash of Macdonald Realty Victoria Ltd.
www.peternash.com / 250-384-0566
 File # 3532 Measured Aug 09, 2018
 by True Measurement (250) 744-0911
 Victoria, BC

232 Southwind Road Galiano Island, BC VON 1P0



| | Finished Sq. Ft. | Unfinished Sq. Ft. | Total Sq. Ft. |
|---------------|---------------------|-----------------------|------------------|
| Main | 1607 | 0 | 1607 |
| Lower | 657 | 0 | 657 |
| Cottage | 458 | 0 | 458 |
| Total | 2722 | 0 | 2722 |
| Decks & Patio | 0 | 1145 | 1145 |

Prepared for the exclusive use of **2 of 2**
Peter Nash of Macdonald Realty Victoria Ltd.
www.peternash.com / 250-384-0566
File # 3532 Measured Aug 09, 2018
by True Measurement (250) 744-0911
Victoria, BC